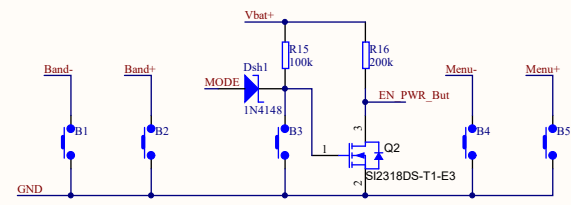
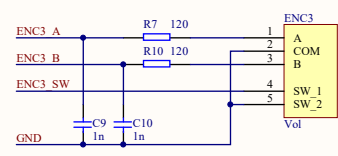
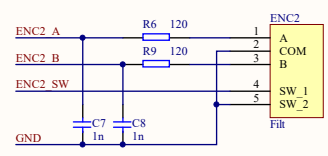
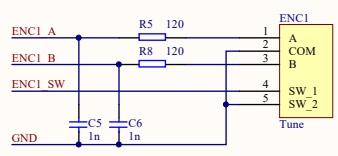
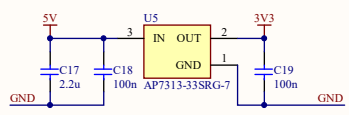
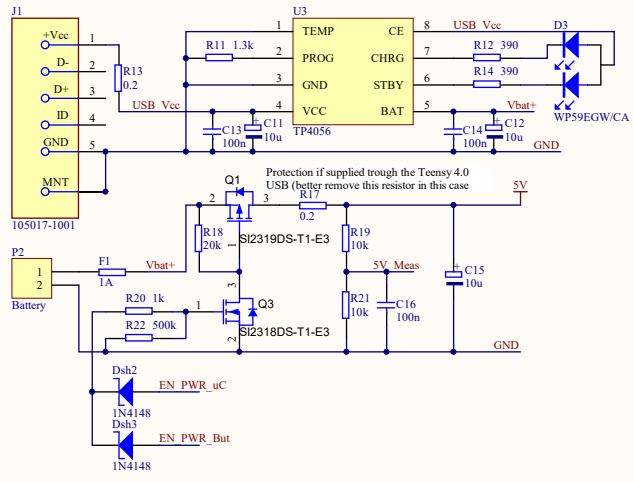
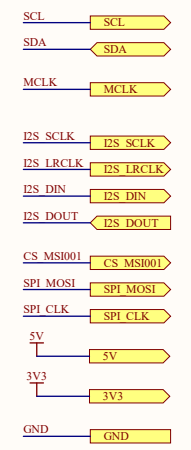
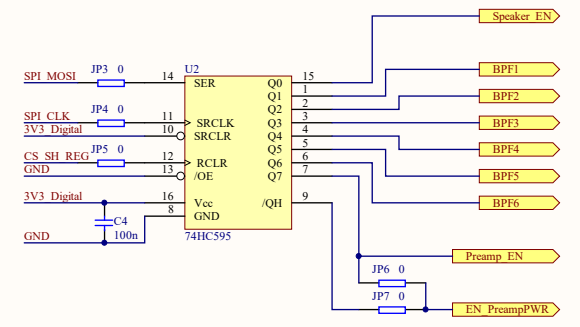
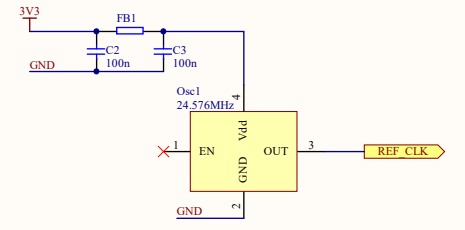
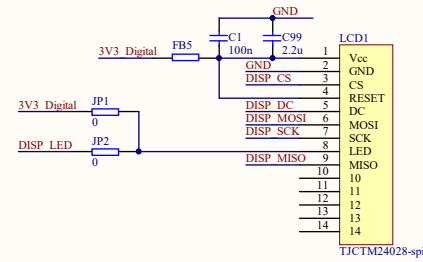
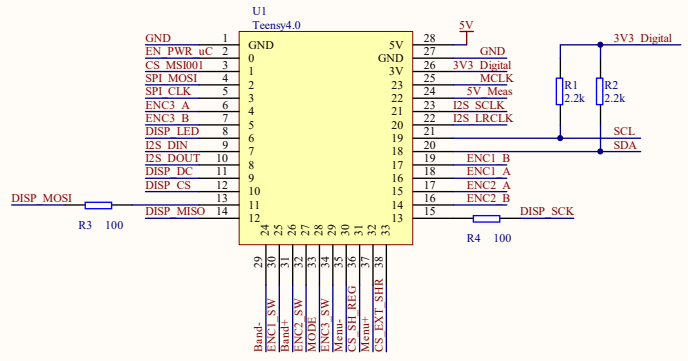
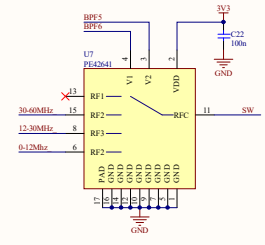
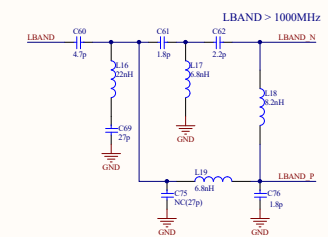
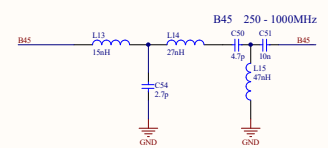
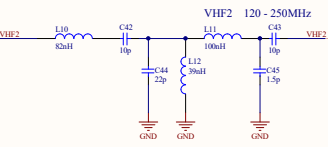
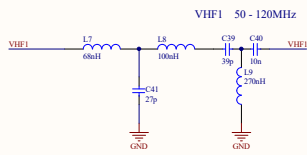
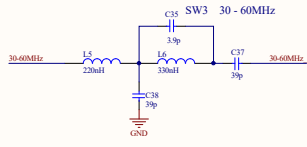
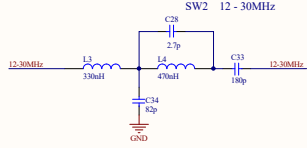
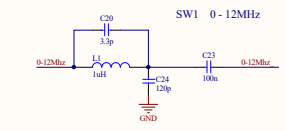
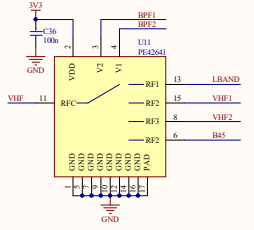
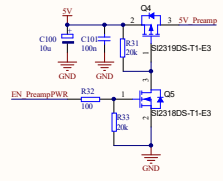
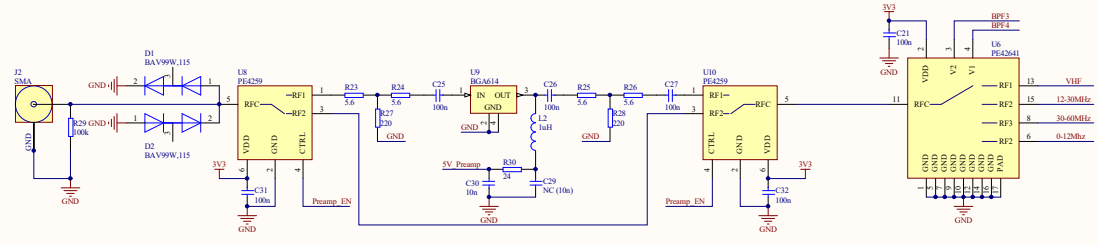


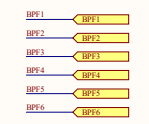
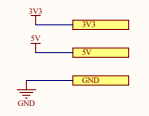
Title		
Size A4	Number	Revision
Date: 23-Jun-20	Sheet of	
File: C:\Tisho\Teensy4 SDR MSI001 Hierarchical Drawings		



Title		
Size	Number	Revision
A3		
Date:	23-Jun-20	Sheet of
File:	C:\Tisho\MCU Controll\SchDoc	Drawn By: Thimir Angelov



Range	BP1	BP2	BP3	BP4	BP5	BP6
0-12	0	0	1	1	1	1
12-30	0	0	1	0	0	1
30-60	0	0	0	1	1	0
60-120	1	0	0	0	0	1
120-250	0	1	0	0	1	1
250-1000	1	1	0	0	0	1
>1000	0	0	0	0	1	1



A

B

C

D

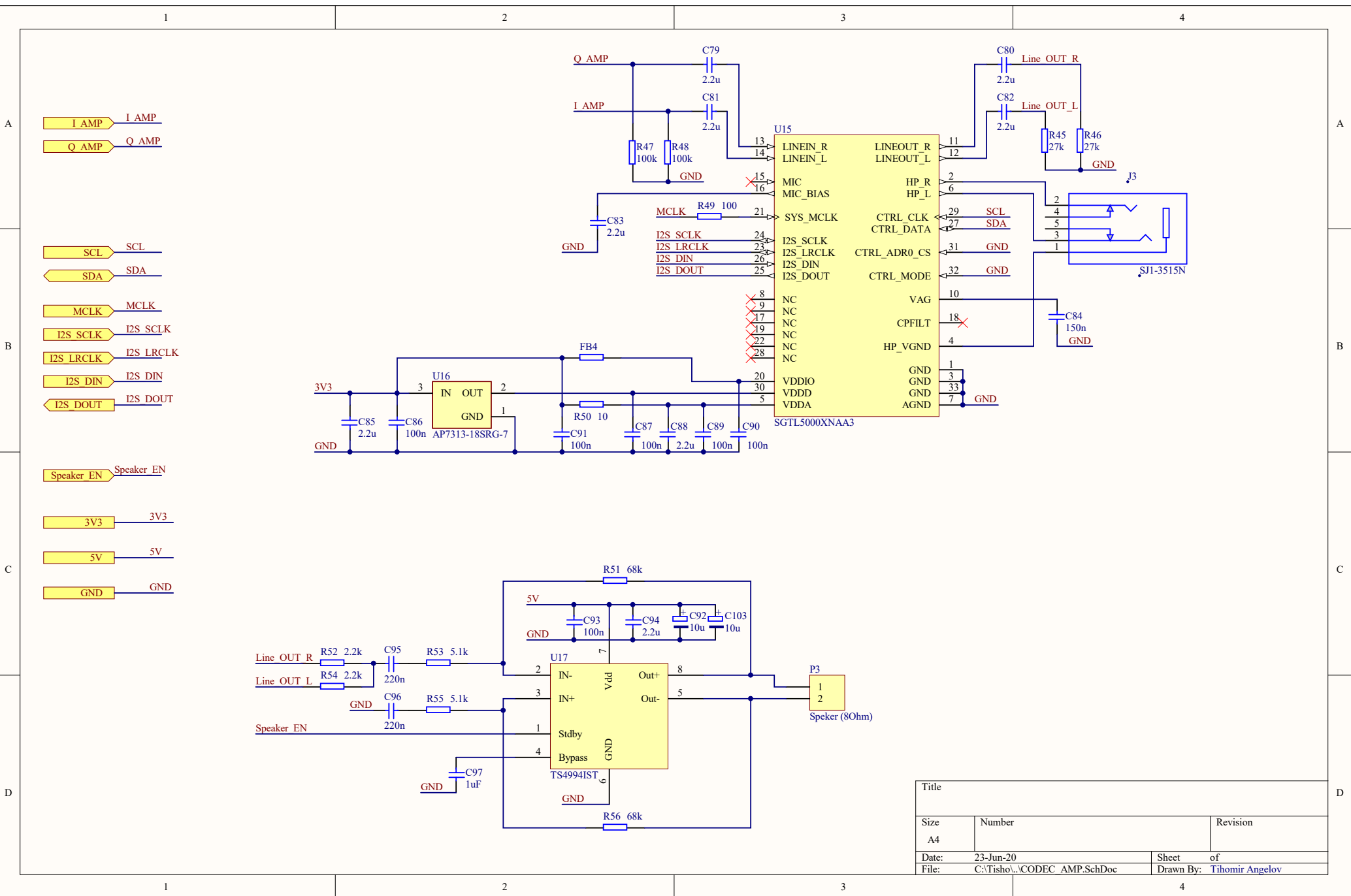
A

B

C

D

Title	Number	Revision
Size	A2	
Date	23-Jun-20	Sheet of
Title	C:\Techno_REF_MSP01_SchDoc	Drawn By: Thomas Angew



Title		
Size	Number	Revision
A4		
Date:	23-Jun-20	Sheet of
File:	C:\Tisho\CODEC AMP.SchDoc	Drawn By: Tihomir Angelov