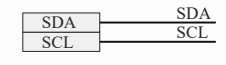
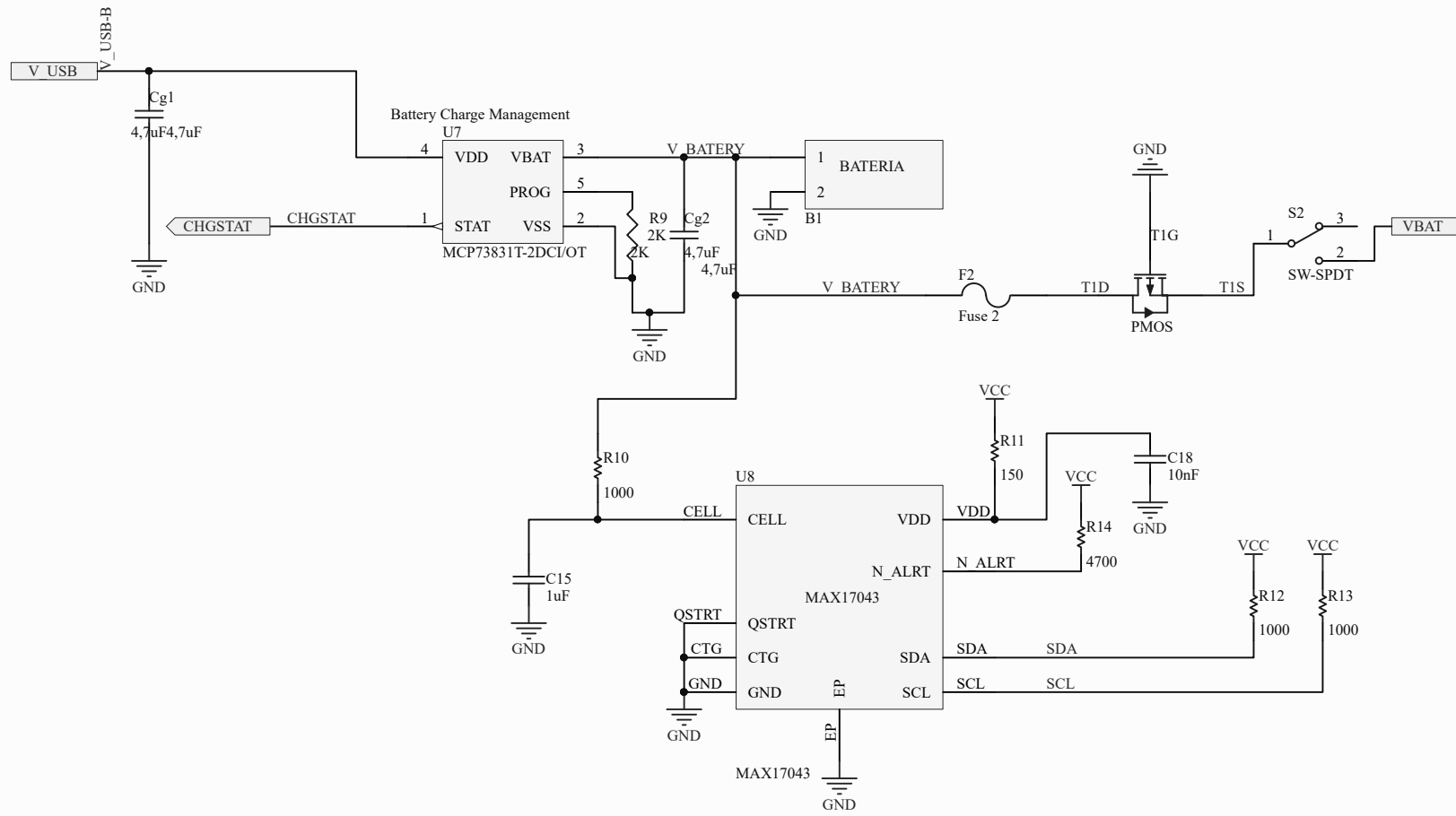


PTC2	45	23/A9	
PTC1	44	22/A8	
PTD6	63	21/A7	
PTD5	62	CTS BLE	CTS BLE
PTB2	37	19/A5	
PTB3	38	RST BLE	RST BLE
PTB1	36	COL4	COL4
PTB0	35	COL3	COL3
PTC0	43	COL2	COL2
PTD1	58	COL1	COL1
PTC5	50	BLE STAT1	BLE STAT1
PTC7	52	BLE STAT2	BLE STAT2
PTC6	51	LOWBAT BLE	LOWBAT BLE
PTC4	49	RTS BLE	RTS BLE
PTC3	46	DIO9	
PTD3	60	BLE MODE	BLE MODE
PTD2	59	ROW6	ROW6
PTD4	61	ROW5	ROW5
PTD7	64	ROW4	ROW4
PTA13	29	ROW3	ROW3
PTA12	28	ROW2	ROW2
PTD0	57	ROW1	ROW1
PTB17	40	BLE RX	BLE RX
PTB16	39	BLE TX	BLE TX

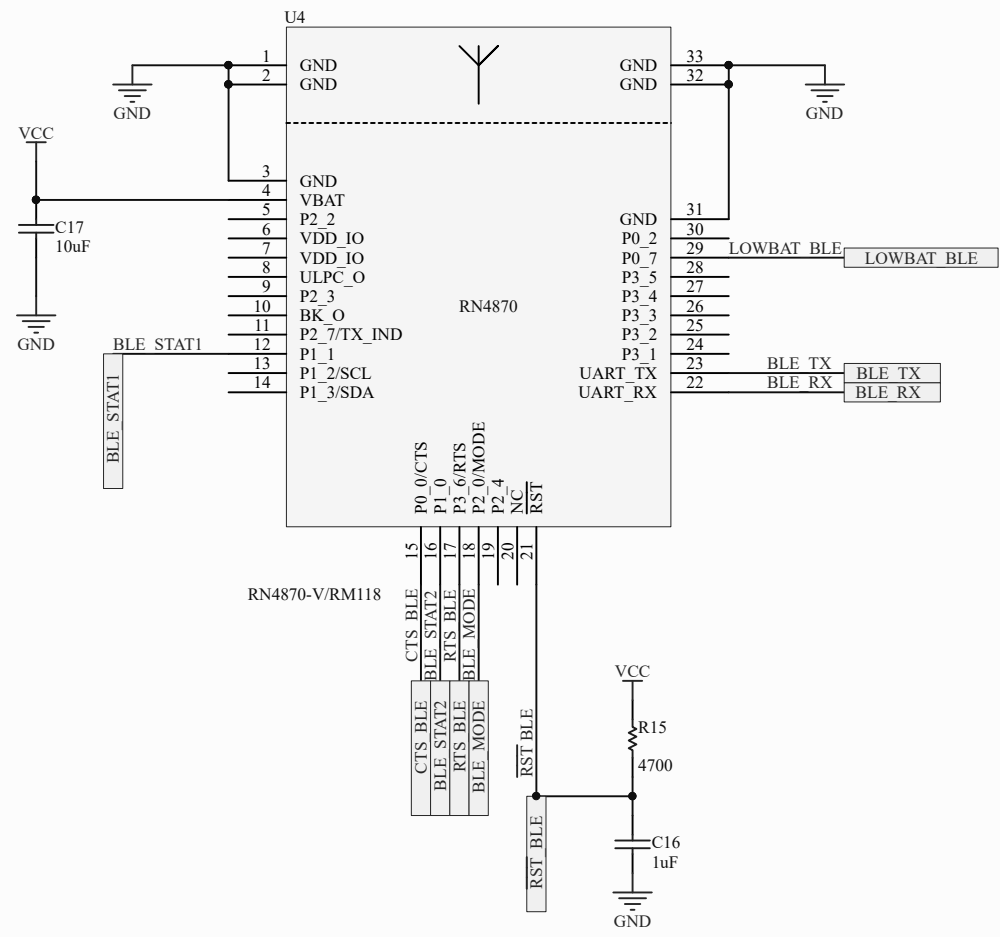
ADC0_DM3	12	A13	
PTA4	26	DIO33	EXT LED RED
PTB18	41	DIO32	EXT LED GREEN
PTE0	1	DIO31	EXT LED WHITE
PTC11	56	SDA	SDA
PTC10	55	SCL	SCL
PTC11	53	DIO28	
PTC8	54	DIO27	
PTC9	2	DIO26	
PTE1	42	DIO25	
PTB19	27	CHGSTAT	CHGSTAT
PTA5			

ADC0_DP3	11	A12	
DAC0	18	DAC/A14	

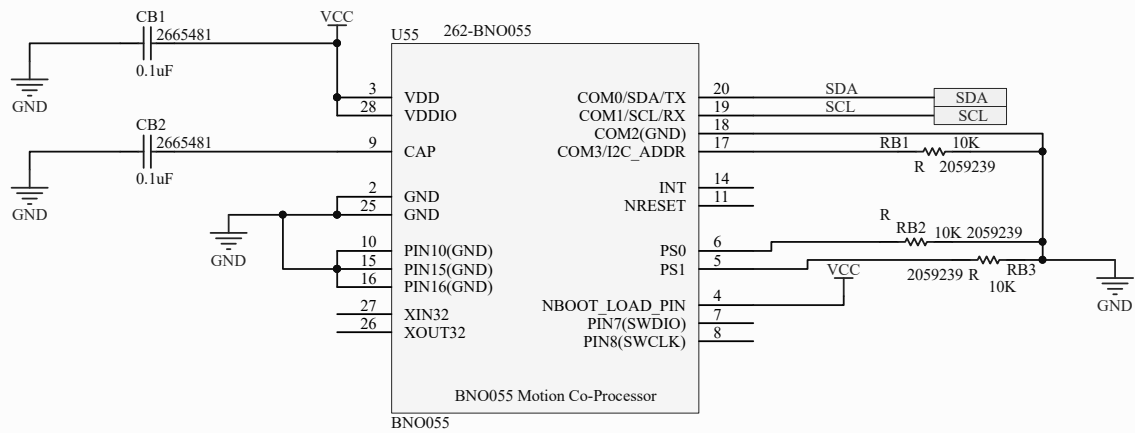
Title			(inside box)
Size	Number	Revision	
A4		6	
Date:	27/07/2020	Sheet	of
File:	E:\PROYECTOS\...\NohoMain.SchDoc	Drawn By:	



Title			
Size A4	Number Battery Management	Revision 1	
Date:	27/07/2020	Sheet	of
File:	E:\PROYECTOS\...\Battery Management\Sheet 1.dwg		



Title			
Size	Number	Revision	
A4	BLE Module	1	
Date:	27/07/2020	Sheet	of
File:	E:\PROYECTOS\...\BLE Module.SchDoc	Drawn By:	



Title		
Size	Number	Revision
A4		9
Date:	27/07/2020	Sheet of
File:	C:\Users\...\BNO055.SchDoc	Drawn By: