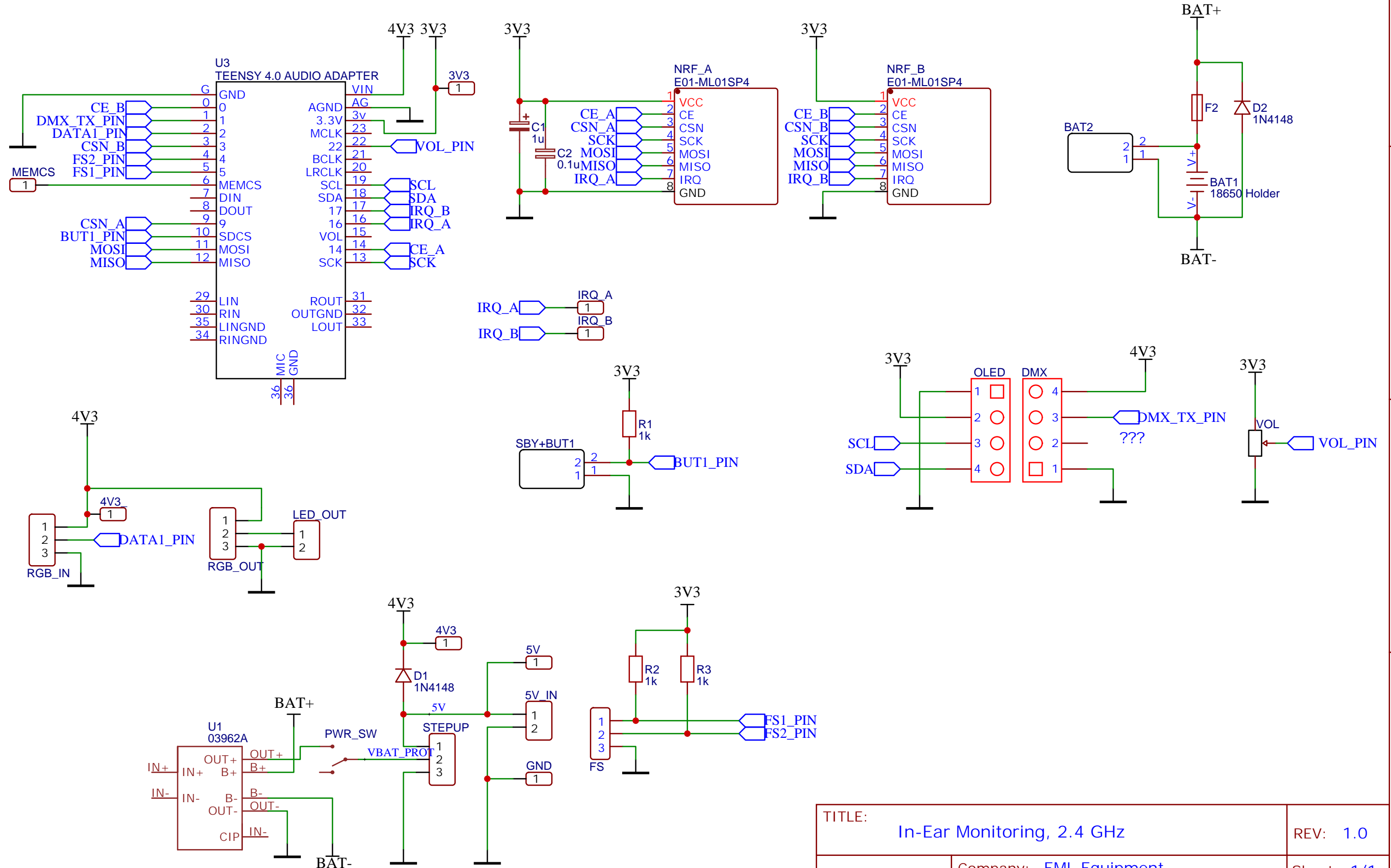


2020-06-25: Battery switch must be after protection circuit, otherwise the inrush current triggers the over current protection.



TITLE: In-Ear Monitoring, 2.4 GHz		REV: 1.0
	Company: EML Equipment	Sheet: 1/1
	Date: 2020-04-25	Drawn By: ErnstML