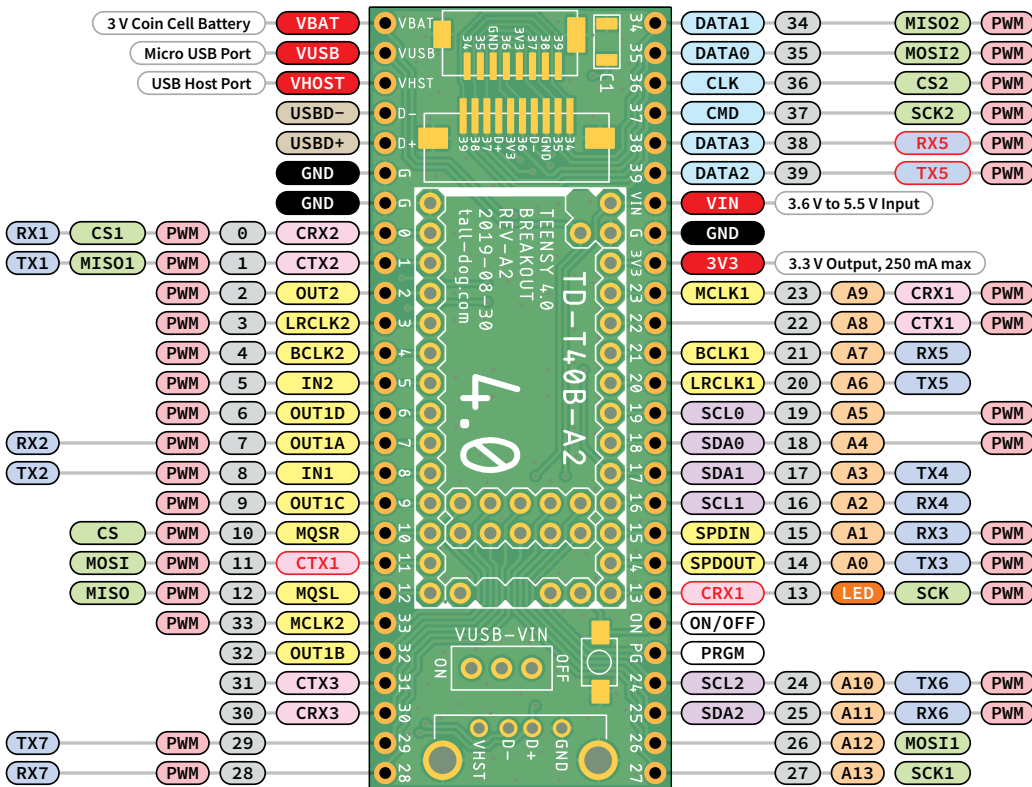


Teensy 4.0 Breakout

Revision A



Legend

- Voltage Pins
- Ground Pins
- Digital Pins 40
- Analog Pins 14
- PWM Pins 31
- Audio Ports 3
- Serial Ports 7
- I2C Ports 3
- SPI Ports 3
- CAN Bus Ports 3
- SD Card Port 1
- USB Host Port 1
- Alternate Functions