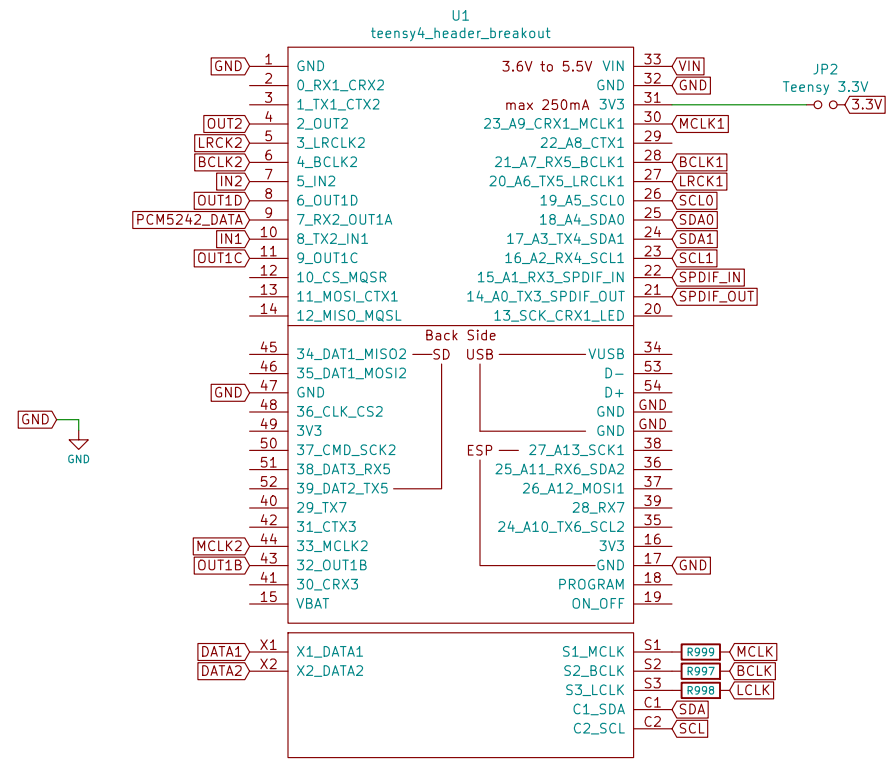
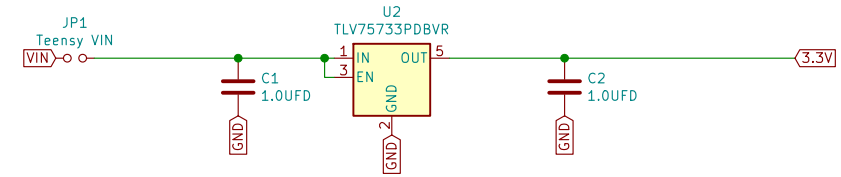


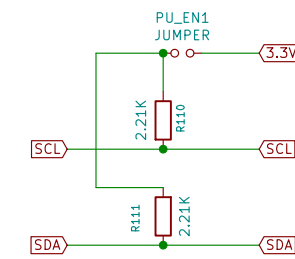
TEENSY 4.0



OPTIONAL 3.3V LDO



OPTIONAL I2C PULL UP RESISTORS



Sheet: PCM1865

File: PCM1865.sch

Copyright Jay Shoemaker 2020

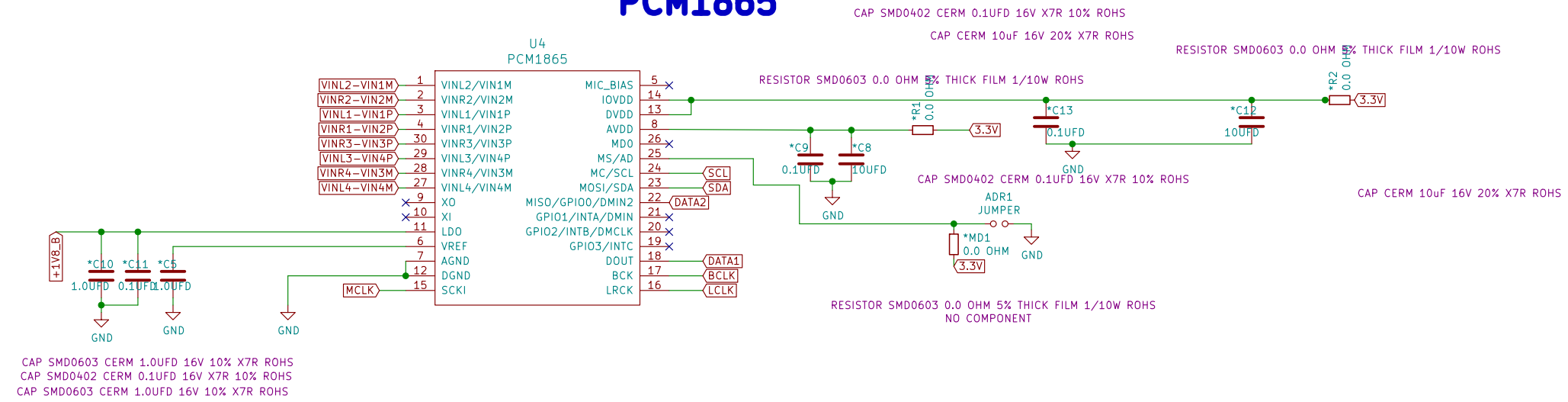
Sheet: /
File: TEENSY_4.0_PCM1865.sch

Title: TEENSY 4.0 PCM1865 AUDIO SHIELD

Size: USLedger | Date: 2020-04-30
KiCad E.D.A. kicad (5.1.5)-3

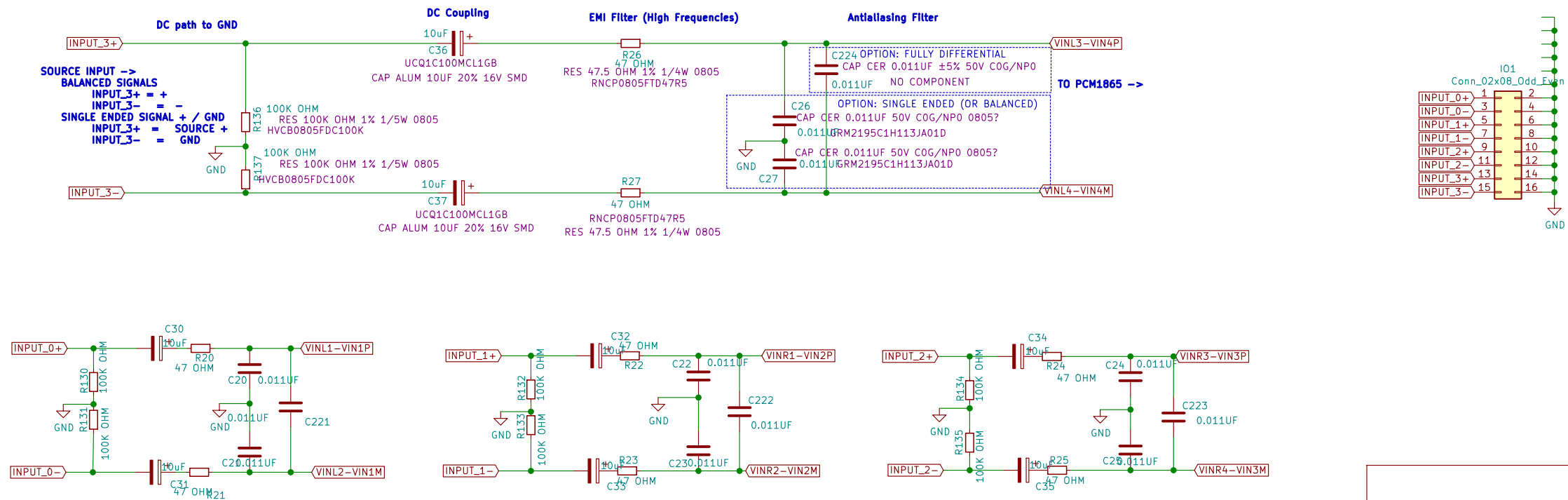
Rev: V 0.5
Id: 1/2

PCM1865



<https://e2e.ti.com/support/audio/f/6/t/799035?tisearch=e2e-sitesearch&keymatch=%20user:273157>

PCM1865 BALANCED/SINGLE ENDED INPUT



Copyright Jay Shoemaker 2020

Sheet: /PCM1865/
File: PCM1865.sch

Title: TEENSY 4.0 PCM1865 AUDIO SHIELD

Size: USLedger Date: 2020-04-30
KiCad E.D.A. kicad (5.1.5)-3

Rev: V 0.5
Id: 2/2